

D700+ LED downlight

Datasheet



Product codes

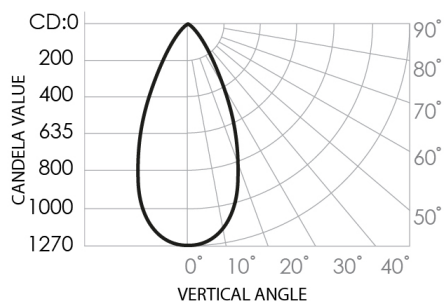
Unit:
D700+

Family:
CR

Colour temp. (K):
3K

Beam angle (°):
55

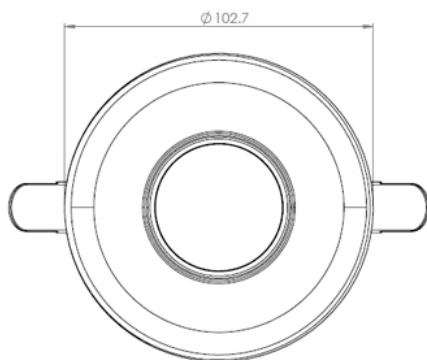
Photometrics



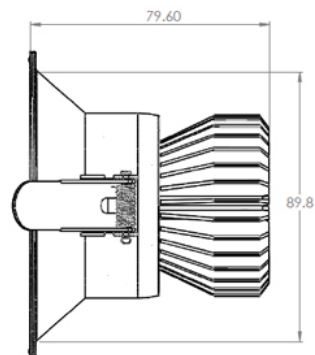
Lumen output: 720lm
Colour temp.: 3000K
Efficacy: 51lm/W
Beam angle: 55°
CRI: 90

Dimensions (mm)

Front view



Side view



Physical

Weight:
1800g or 485g

Gimbal angle:
Universal

Warranty:
7 years

Electrical

Input voltage:
220-240V

Power usage:
14W

Driver power factor:
0.88

IP rating:
IP20

Surge protection:
Yes

Cable length:
1.2m

Dimmable:
Yes

Driver:
BG-DRV:A-700/10

Operational

Average temp.:
65°C

Ambient temp.:
-28 to 60°C

Lifetime:
40000 hrs (@TA25)

Thermal rating:
IC

Compatibility

Recommended Dimmers:
Clipsal, Universal
Clipsal, Trailing Edge
Legrand 400T, Trailing Edge

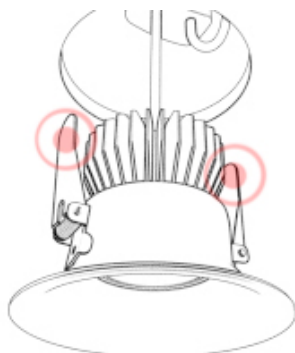
*Compatible with many centralised control systems such as Clipsal C-Bus. All systems are unique, please call 1300 672 499 for advice on your installation.

Installation



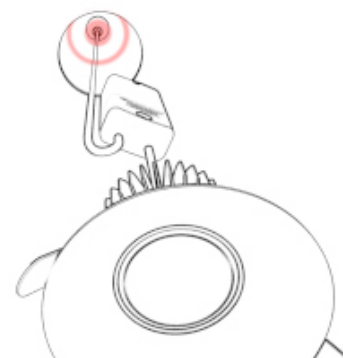
Step 1

Using a 92mm holesaw, cut a hole in the desired location.



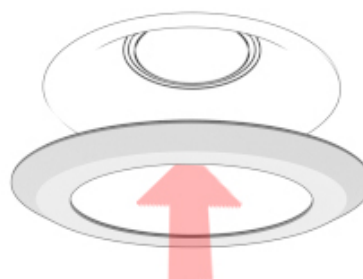
Step 3

Lift the two springs and insert the luminaire in the ceiling hole.



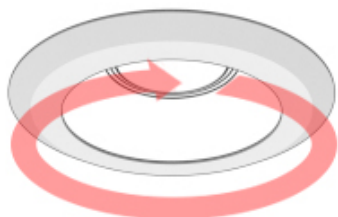
Step 2

Plug the driver into a 220-240VAC mains socket, located in the ceiling cavity.



Step 4

Installing fascias is optional. Align the fascia with the fixture.



Step 7

Thread the fascia clockwise until firmly in place.
Installation complete.