

CV-PWM-DIM MASTER

Constant Voltage LED Dimmer Panel

Low Profile PWM Wall Mount Dimming Panel

Description

A low profile wall mount PWM dimming panel capable of dimming up to 4 x 120W channels of single colour constant voltage LED strip or luminaires.

Features

- 1 - 100% smooth dimming
- Drives up to 4 x 5A channels of LED strip or luminaires at 24V directly
- Fits Australian size wall brackets
- Can be coupled with CLC's' LED Dimming repeater to increase the load of LED fixtures being dimmed on the circuit
- 3 year warranty



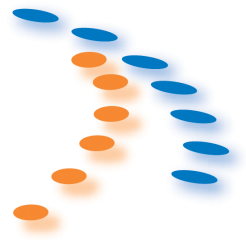
Creative Lighting Concepts

Mobile - +61 413 378 214

Office - +61 7 5455 4127

E - info@creativelightingconcepts.com.au

Web - www.creativelightingconcepts.com.au



CV-PWM-DIM MASTER

User Manuel

Introduction

The Constant Voltage LED DIM MASTER is the perfect solution to provide the user with Smooth 1–100% dimming control of their LED installation. Unlike other solutions, the DIM MASTER requires no additional LED driver to drive up to 480W of single colour LED strip or luminaires.

Specifications

Panel Dimensions	120 x 80 x 29.1mm
------------------	-------------------

Weight	185g
--------	------



[warranty 3 years]

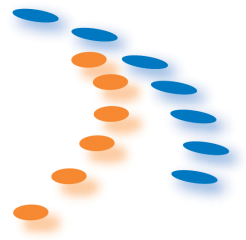
Creative Lighting Concepts

Mobile - +61 413 378 214

Office - +61 7 5455 4127

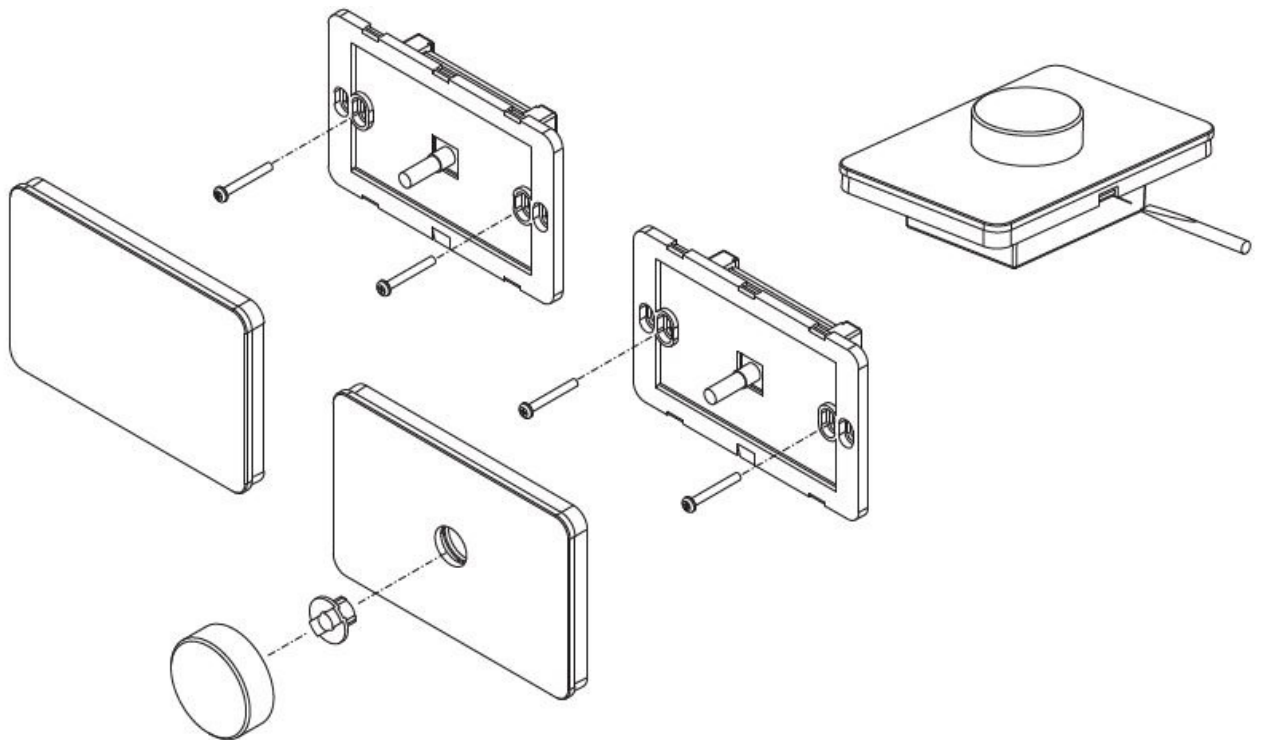
E - info@creativelightingconcepts.com.au

Web - www.creativelightingconcepts.com.au



CV-PWM-DIM MASTER

User Manuel



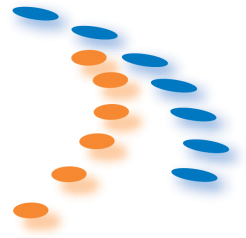
Creative Lighting Concepts

Mobile - +61 413 378 214

Office - +61 7 5455 4127

E - info@creativelightingconcepts.com.au

Web - www.creativelightingconcepts.com.au



CV-PWM-DIM MASTER

User Manual

Inputs

Voltage	12 - 24V DC
Current	20.5A

Outputs

Outputs	4
Current Per Channel	5A
PWM Frequency	500Hz
PWM Levels	256
Dimming Range	1 - 100%

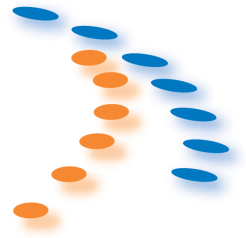
Creative Lighting Concepts

Mobile - +61 413 378 214

Office - +61 7 5455 4127

E - info@creativelightingconcepts.com.au

Web - www.creativelightingconcepts.com.au



CV-PWM-DIM MASTER

User Manuel

Installation

Mounting

To install the dimming panel:

- 1 - Remove the dimming knob from the mounting plate by pulling it away from the plate.
- 2 - Remove the white PVC grommet by pulling it away from the plate.
- 3 - Remove the glass face plate by inserting a small flat screw driver into the opening on the side of the face plate and gently push down to release.
- 4 - Terminate input and output cables ensuring correct polarity
- 5 - Screw the DIM MASTER to the wall.
- 6 - Clip the face plate back in place until you hear it click.
- 7 - Slide the white PVC grommet over the dimming mech shaft and gently push it down until it is firmly against the glass.
- 8 - Slide the dimming knob over the dimming mech shaft and gently push it down until it locks into place.

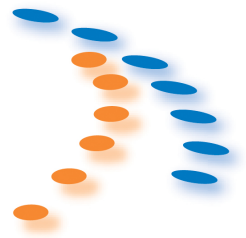
Creative Lighting Concepts

Mobile - +61 413 378 214

Office - +61 7 5455 4127

E - info@creativelightingconcepts.com.au

Web - www.creativelightingconcepts.com.au



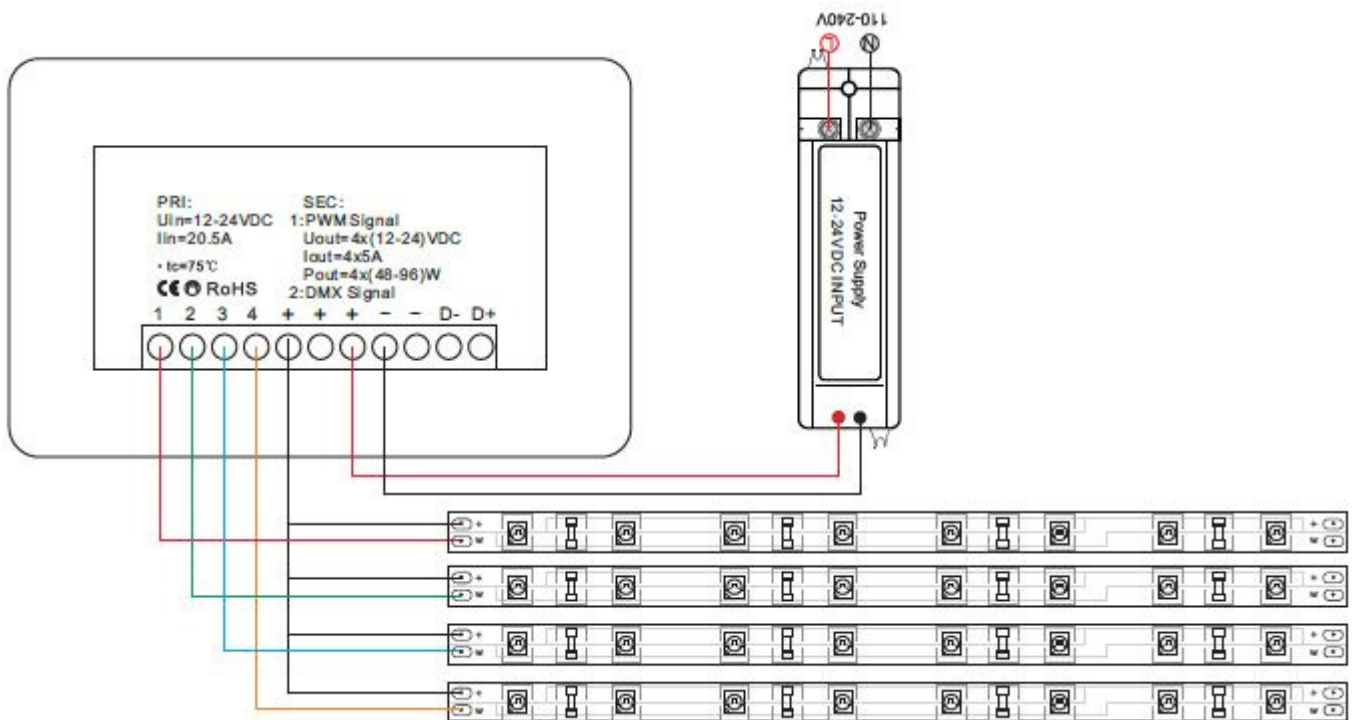
CV-PWM-DIM MASTER

User Manual

Wiring

The diagram below shows the four input and output terminals of the unit. The inputs should be connected to a 12 or 24V DC supply, the outputs should be connected to the LED luminaires as shown.

Ensure correct polarity when making the electrical connections.



Using The Panel

Short press the dimming knob to switch ON/OFF.

Rotate the knob clockwise to increase the brightness to from 1-100%.

Rotate the knob counter clockwise to dim down from 100 - 1%.

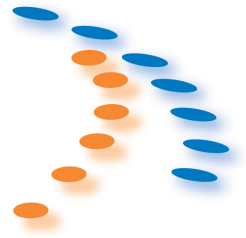
Creative Lighting Concepts

Mobile - +61 413 378 214

Office - +61 7 5455 4127

E - info@creativelightingconcepts.com.au

Web - www.creativelightingconcepts.com.au



CV-PWM-DIM MASTER

User Manuel

Safety & Warnings

- 1 - This product shall only be installed and serviced by a qualified person.
- 2 - The unit is IP20 rated and should not be installed outside in the weather. When mounting the unit outdoors, please install in a weatherproof enclosure.
- 3 - Always ensure the unit is installed with ventilation to prevent over heating.
- 4 - Please ensure that the output voltages of the LED drivers used comply with the working voltages of the unit.
- 5 - Never connect any cables whilst the power is turned on and always ensure correct polarity before switching the panel on.
- 6 - Always ensure that the cables are terminated securely to avoid short circuits before switching the power on.

Creative Lighting Concepts

Mobile - +61 413 378 214

Office - +61 7 5455 4127

E - info@creativelightingconcepts.com.au

Web - www.creativelightingconcepts.com.au