

# D550 CURVE VERSION 2.0

Lumens 550lm  
Power Usage 8.5 W  
Colour Rendering Index 92

# brightgreen

## SPECIFICATION CODES

UNIT	FAMILY	COLOR TEMP	BEAM ANGLE	FASCIA COLOR
D550	CR	3k	36°	S (Silver)
-	-	-	-	W (White)

## FASCIA STYLES

SILVER

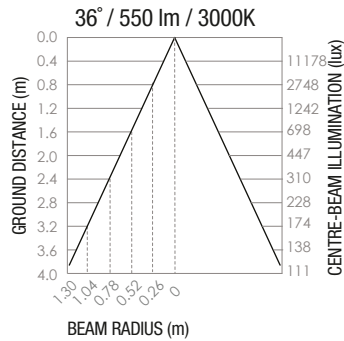


WHITE



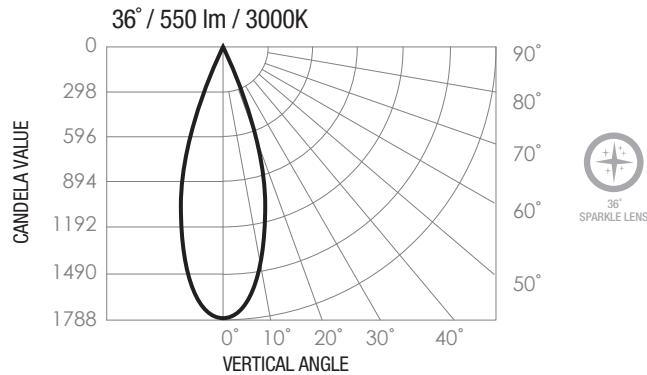
## LIGHT PROPAGATION DIAGRAM

Illumination at a Distance



## PHOTOMETRICS

D550 Curve Polar Candela Distribution  
(IES files available on brightgreen.com)

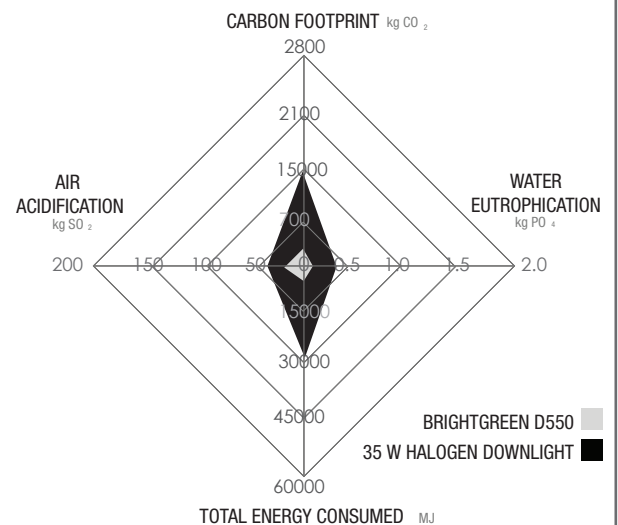


## COMMON APPLICATIONS

RESIDENTIAL	COMMERCIAL	TECHNIQUES
Alcoves Cabinets Vanity/Basin	Restaurants Retail Offices Foyers	Direct Accent Orientation

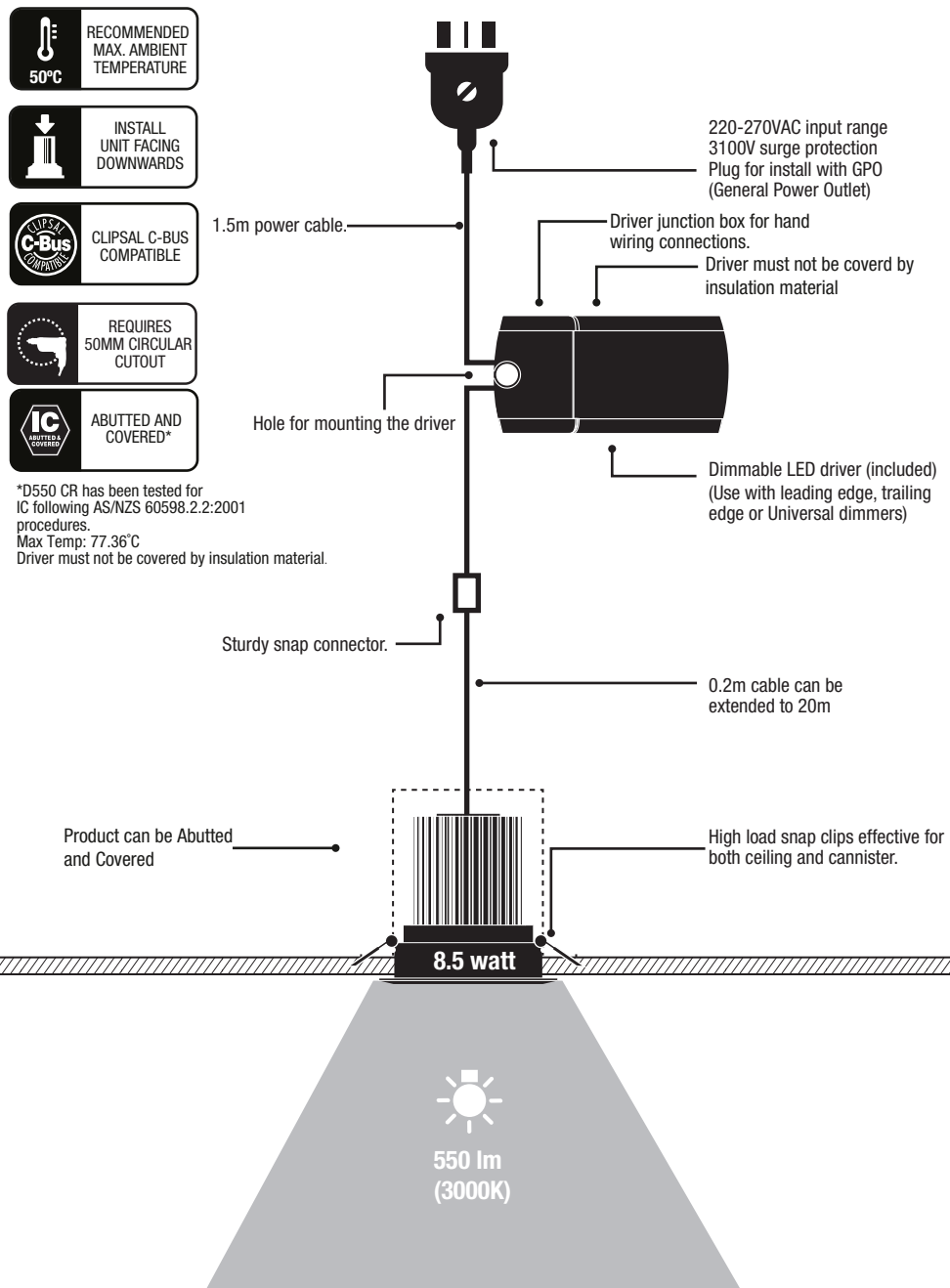
## ENVIRONMENTAL IMPACT

25 years life  
8 hours running time per day



## INSTALLATION DIAGRAM

All parts in this diagram are included and assembled in D550 package



## SPECIFICATIONS

### Physical

Fascia Colour	Silver or White
Weight	310g
Gimble Angle	±15°
Install Clearance	Covered and Abutted
STC Rating	42
Safety Class	IEC 60598 - 1:2008
Warranty	7 years
Material	Aluminium, PC
Paint Matching	Dulux Lexicon HLF STR PWIG9H Wattyl 'Wiltshire' E14w Taubmans Moonlit Snow

### Operational

<b>3000K</b>	
Lumen Output	550 lm
Efficacy	64 lm/W
Beam Angles	36°
Light Quality	CRI 92
Operating Temp.	-30°C to 85°C
Average Temp.	64°C (@Ta25)
Ambient Temp.	-28°C to 65°C
Lifetime	70,000hrs(@Ta25)

### Electrical

Input Voltage	220-270VAC
Power Usage	8.5W
Driver Power Factor	>0.9
IP Rating	IP42
Surge Protection	3100V
Cable Length	1.5 m
Dimming Range	3-100%
Driver Number	BG-DRV:A-400/8 (5 year driver warranty)
Capacitance	13 - 20 uF

### Compatibility

- Leading Edge Dimmers
- Trailing Edge Dimmers
- Universal Dimmers
- Dali Dimmers (available on request)

**Note:** Compatible with many centralised control systems such as Clipsal C-Bus. All systems are unique, please call 1300 672 499 for advice on your installation.

## DIMENSIONS

Measurements in millimetres

